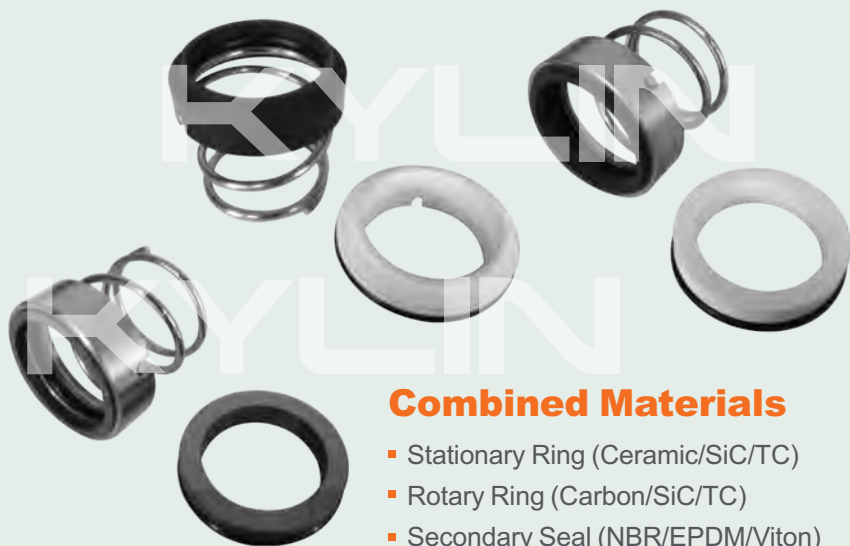


**KY M37,M37G  
/ KY M32 / KY M3N**



**Combined Materials**

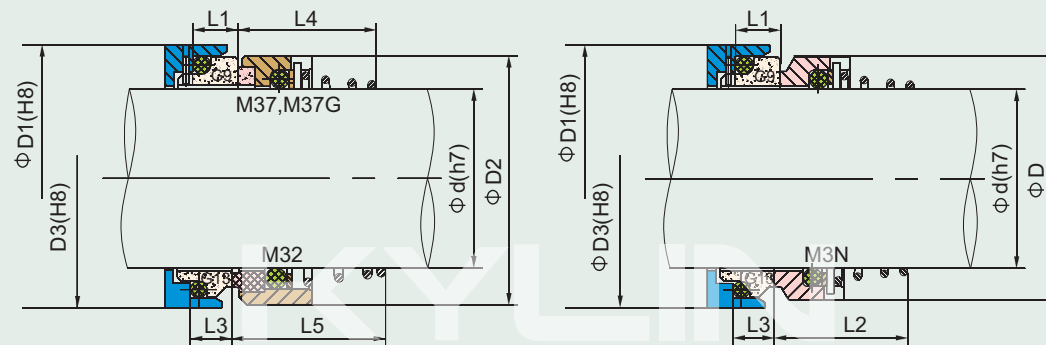
- Stationary Ring (Ceramic/SiC/TC)
- Rotary Ring (Carbon/SiC/TC)
- Secondary Seal (NBR/EPDM/Viton)
- Spring and Metal Part (Steel)
- G9,G4,G6 and G13 seats

**Compatibility:**

- Burgmann M32 / M37, M37G / M3N

**Working Conditions**

- Pumps: Water pumps, sewage pumps, and chemical pumps, etc.
- Temperature: -20°C~180°C
- Pressure: ≤1MPa
- Speed: ≤ 10m/Sec



Part#	d	D	D1	D2	D3	L1	L2	L3	L4	L5
KY M32 / M37, M37G / M3N-10	10	19	21	20	19.2	10	15.5	7.1		16.9
KY M32 / M37, M37G / M3N-12	12	21	23	22	21.6	10	16	7.6		17.4
KY M32 / M37, M37G / M3N-14	14	23	25	24	24.6	10	16.5	7.6	16.5	17.4
KY M32 / M37, M37G / M3N-16	16	26	27	26	28	10	18	9	16.5	19.5
KY M32 / M37, M37G / M3N-18	18	29	33	31	30	11.5	19.5	10	18	20.5
KY M32 / M37, M37G / M3N-20	20	31	35	34	35	11.5	22	9.5	19	22
KY M32 / M37, M37G / M3N-22	22	33	37	36	35	11.5	21.5	9.5	20.5	23.5
KY M32 / M37, M37G / M3N-24	24	35	39	38	38	11.5	23.5	9.5	22	25
KY M32 / M37, M37G / M3N-25	25	36	40	39	38	11.5	26.5	9.5	23.5	26.5
KY M32 / M37, M37G / M3N-28	28	40	43	42	42	11.5	26.5	11	24.5	26.5
KY M32 / M37, M37G / M3N-30	30	43	45	44	45	11.5	26.5	11	24.5	25
KY M32 / M37, M37G / M3N-32	32	46	48	46	48	11.5	28.5	11	28	28.5
KY M32 / M37, M37G / M3N-33	33	47	48	47		11.5	28.5			
KY M32 / M37, M37G / M3N-35	35	49	50	49	52	11.5	28.5	11.5	28	28.5
KY M32 / M37, M37G / M3N-38	38	53	56	54	55	14	33.5	11.5	31	32.2
KY M32 / M37, M37G / M3N-40	40	56	58	56	58	14	36	11.5	34	34.7
KY M32 / M37, M37G / M3N-43	43	59	61	59		14	38.5			
KY M32 / M37, M37G / M3N-45	45	61	63	61	64	14	39.5	14.3	36.5	39.2
KY M32 / M37, M37G / M3N-48	48	64	66	64	68.4	14	46	14.3	42	44.7
KY M32 / M37, M37G / M3N-50	50	66	70	66	69.3	15	45	14.3	43	45.7
KY M32 / M37, M37G / M3N-53	53	69	73	69		15	47			
KY M32 / M37, M37G / M3N-55	55	71	75	71	75.4	15	49	15.3	47	49
KY M32 / M37, M37G / M3N-58	58	76	78	78	78.4	15	55	15.3	50	52
KY M32 / M37, M37G / M3N-60	60	78	80	79	80.4	15	55	15.3	51	55
KY M32 / M37, M37G / M3N-63	63	83	83	83		15	55			
KY M32 / M37, M37G / M3N-65	65	84	85	85	85.4	15	55	15.3	52	54.3
KY M32 / M37, M37G / M3N-68	68	88	90	88	91.5	18	55	16	52.7	55.3
KY M32 / M37, M37G / M3N-70	70	90	92	90	92	18	57	15.3	54	56.3
KY M32 / M37, M37G / M3N-75	75	98	97	98	99	18	62	15.3	54	56.3
KY M32 / M37, M37G / M3N-80	80	100	105	103	104	18.2	61.8	16.3	58	59.3

**O Ring  
Mechanical  
Seals**